

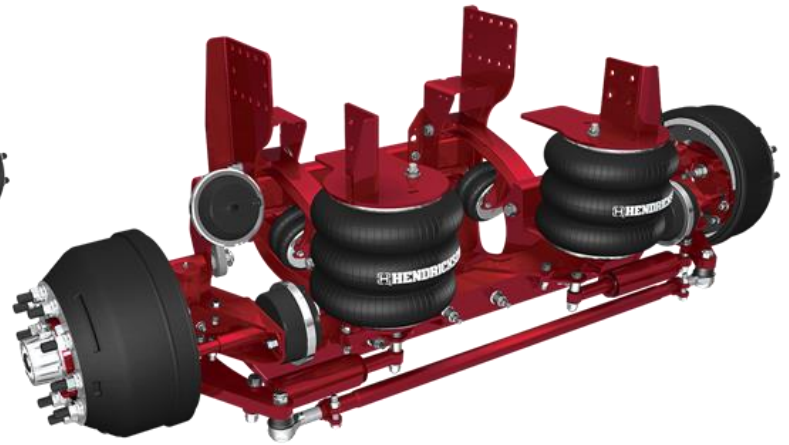
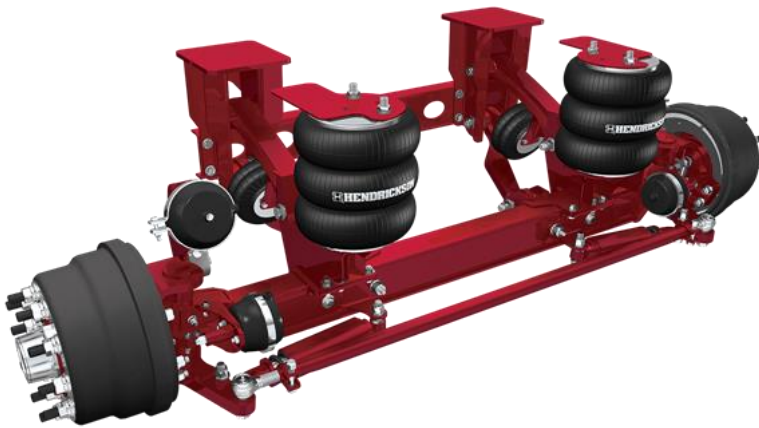


**SADLER**  
POWER TRAIN  
TRUCK PARTS & SERVICE



**HENDRICKSON**  
*The World Rides On Us®*

**WE STOCK TAG AXLES**



**Compositelite EXS13**

PART# EXS13.11

**\$6,113**

**Compositelite EXS20**

PART# EXS20.10

**\$8,145**

**STEERABLE Lift Axle Specifications**

Prices subject to change any time.

BRAND	MODEL	MAXIMUM CAPACITY (lbs.)	APPLICATION WEIGHT (lbs.)		RIDE HEIGHTS (inches)
			DRUM BRAKE	AIR DISC BRAKE	
COMPOSILITE®	EXS (W/B)13	13,500	805	N/A	8.5 - 20.5
	EXS (W/B)20	20,000	805	N/A	8.5 - 20.5

COMPOSILITE EXS Trailer – the next generation of lighter yet more durable steerable lift axle suspension systems for trailer applications. A number of technological advancements enabled Hendrickson to take this concept from theory to the road.

- Inset lower beams help optimize lateral stiffness and eliminates the need for V-rods
- Zero-torsion rubber bushings provides increased bushing life and lower cost of ownership with less down-time
- Patented STEERTEK axle technology increases structural durability and bolt-on axle seats make for easier serviceability, while adding to lower cost of ownership.
- In addition, the upper aluminum beams help reduce weight without sacrificing durability.
- A stellar 7-year structural warranty accompanies the COMPOSILITE EXS

